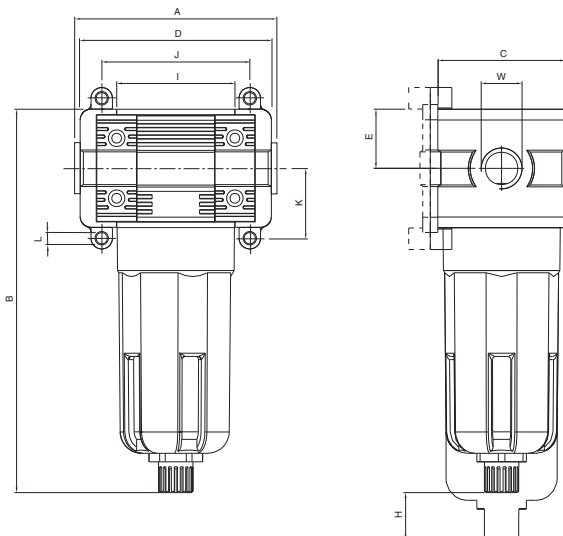


Filters



Main features

Centrifugal collector with sinter filter cartridge, filter element 20 µm – others on request, please refer to page 3.14 – semi-automatic condensate discharge.

	F-1	F-2	F-3
A	72	89	100
B	146	178,5	197
C	45	59	70
D	76	89	106*
E	21	27,5	32,5
F	22,5	28,5	35
H	39	48	50
I	43	55	65
J	54	69	79
K	17,25	22	27
L	D X M4	D X M5	D X M6
W	(1/8")-1/4"-3/8"	(1/4")-3/8"-1/2"	1/2"-3/4"-1"

*) Variante G1" plus 5 mm

Technical information

Operating pressure in p1:	Max. 15 bar at 20° C
Operating medium:	Compressed air
Operating temperature:	-10° C ... + 50° C
Installation positioning:	Vertical
Materials:	Body and Shell: Technopolymer
	Gaskets: NBR
	Filter: Sintered bronze
	End parts: Die-cast zinc

Family	Port Size	Flow Rate qnN*	Bowl Capacity	Drain	Part Number
1	G 1/4 "	1900 l/min	22 cm ³	Semi-auto	F-1-1/4
1	G 3/8"	1900 l/min	22 cm ³	Semi-auto	F-1-3/8
2	G 3/8"	3750 l/min	46 cm ³	Semi-auto	F-2-3/8
2	G 1/2"	3750 l/min	46 cm ³	Semi-auto	F-2-1/2
2	G 1/2"	3750 l/min	46 cm ³	Auto	F-2-1/2-A
3	G 3/4"	6250 l/min	89,5 cm ³	Semi-auto	F-3-3/4
3	G 3/4"	6250 l/min	89,5 cm ³	Auto	F-3-3/4-A
3	G 1"	6250 l/min	89,5 cm ³	Semi-auto	F-3-1
3	G 1"	6250 l/min	89,5 cm ³	Auto	F-3-1-A

* Measured at p1=10 bar, p2=6 bar, Δp=1 bar according to CETOP RP 50P

